

# 8" Touch Server



The Embedded Server is the centre of the Automation network - housing all the data including macros, logic and interface information in one slimline recessed wall mount unit.

The Embedded Server reacts to events generated from any IR, RS232 or TCP/IP input - RTI, Philips TSU9600 or NevoSL remotes, HPM iControl, Clipsal C-Bus, Dyalite, security PIRs & reed switches, and more.

## Product Highlights

- *Fanless, embedded, integrated Embedded Server & Interface*
- *Logic and macro engine across all connected devices*
- *Bi-directional control of lighting and power control systems including HPM iControl, Clipsal C-Bus and Dyalite\**
- *Security & access control integration via Ethernet with Ness M1/Easy 16/Easy 8\**
- *Display security camera and intercom audio/video feeds from DVR, ACTi IP cameras and video switches*
- *Music Library functionality can be added to the project with additional modules and hardware*

## Features and Benefits

*8" diagonal 4:3 touch panel*

*Embedded and Solid State*

*2 x bi-directional RJ-45 ports onboard for RS232/422/485; remote RS232 ports via ethernet adapters (ERI-xx)*

*Integrated webcam, speaker and microphone for intercom and IP communications functionality*

*Intuitive scene and timer programming allows basic configuration changes to be made through the user interface*

*External Links enable the user to access a preset list of their favourite web pages directly from the touch-panel*

*Switch Builder allows for fast and easy programming of the entire Embedded Server and Interface*

*Easy installation via optional back box or in-wall mechanism*

*Range of faceplates and bezels to suit any décor*

*Ambient light sensor detects ambient light for automated screen adjustments to optimise viewing*

*Requires 10-28V DC and 1x network cable wired back to a network switch or router. Power supply may be located remotely*

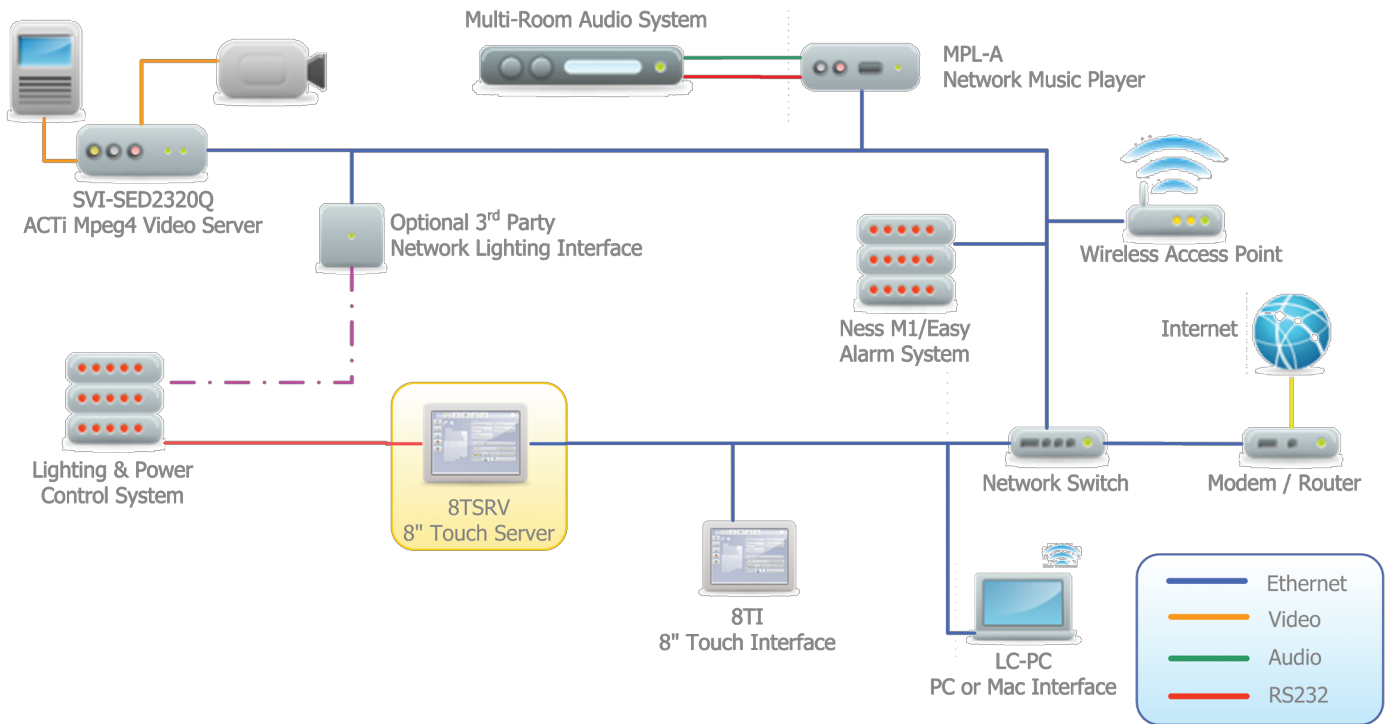
## Modules and Drivers

*Included:*

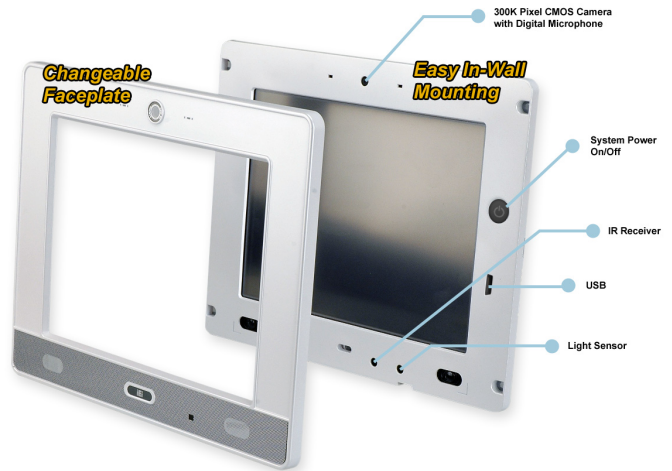
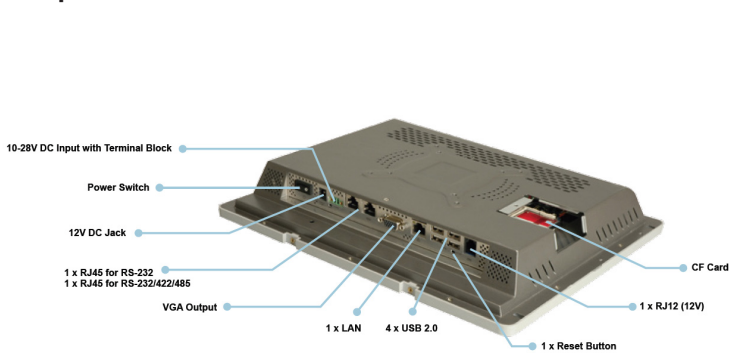
*1x Embedded Server (MOD-SRV)*

*1x Embedded Interface (MOD-ITF)*

*1x Media Manager (MOD-MEDIA)*



Specifications



General:

Intel Atom N270 1.6Ghz  
 Remote access via VNC port 5900  
 Requires external network attached storage for music library  
 2GB Flash Memory  
 1GB DDR2 Ram  
 Fanless construction  
 XP Embedded Operating System  
 Power On/Off LED on front panel

Display:

8.4" TFT LCD  
 Resolution: 800 x 600 SVGA  
 Touch screen: Resistive Type 4-Wire (Touch controller IC is on board)  
 Viewing angle: 120 degrees (H), 100 degrees (V)  
 Brightness: 400 cd/m  
 Backlight MTBF (hrs) 50,000

Environmental and Mechanical:

Chassis Construction: ABS + PC plastic front frame  
 Operating Temp: 0 - 50 degrees C (Fanless)  
 Weight: 0.8KG  
 Dimensions (WxDxH): 263.2 x 221.2 x 54.4mm  
 Refer to 8WB for wall cut-outs

Power Consumption:

Power Requirement: 10-28V DC In  
 Power Consumption: 25W  
 Power Adapter: 40W, 240VAC 50/60hz

Optional Accessories:

- 8WB Recessed wall box
- 8BZ-AL Aluminium bezel
- 8BZ-BL Black Acrylic bezel
- 8BZ-WH White Acrylic bezel

\* Additional components required. Level of control depends on extent of network. All brand and/or product names are trademarks of their respective owners. Specifications are subject to change without prior notice. E&OE.

